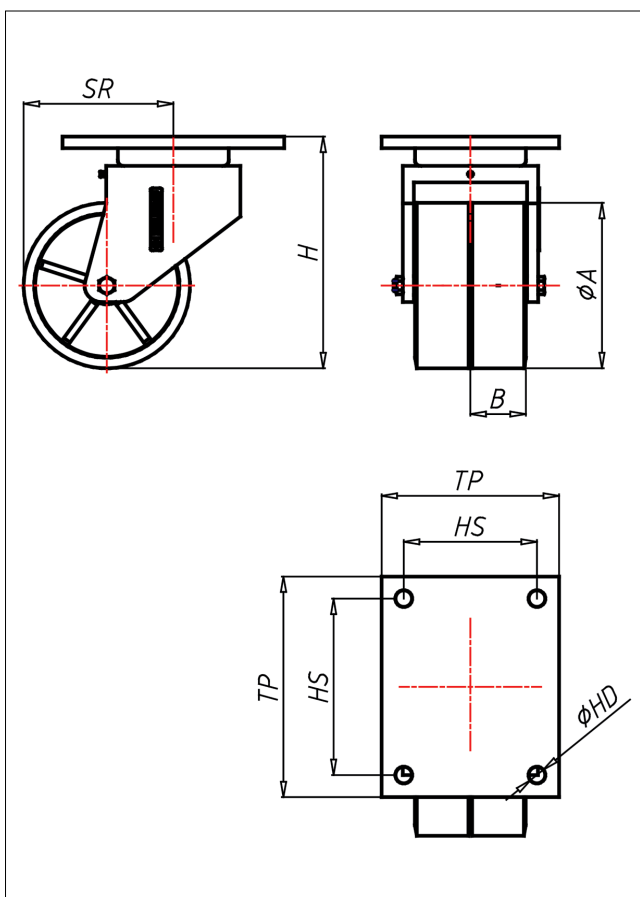




EDD-ZSZSK

Lenkrolle



EDD-ZS



-80 °C
-30 °C

max. 1220 kg



| Lenkrolle Steering Castor | Feststeller TLGH Seite 109 TRUCK LOCK TLGH page 109 | Bockrolle Fitted Castor | | | | | | | | | | | | | | | | | | | | | | | | | |
|---|--|--|-----------------------|-----------------------|----------------------------------|-----------------------|-----------------------|------------------------------|-----------------------|----------------------------------|-----------------------|-----------------------|--------------------|-----------------------|----------------------------------|-----------------------|-----------------------|--------------------------------|-----------------------|----------------------------------|-----------------------|-----------------------|-----------------------------------|-----------------------|----------------------------------|-----------------------|-----------------------|
| | | | | | | | | | | | | | | | | | | | | | | | | | | | |
| <p>NEU!</p> <ul style="list-style-type: none"> sehr geräuscharmer Lauf geringer Rollwiderstand abrieb- und rissfest hohe Stoßfestigkeit sehr beständig gegen viele aggressive Medien <p>Guss-Polyurethane 85 + 3 Shore A weich Folge Gusselisen lackiert → Seite/Page 223</p> | <p>Schnecken- und Axialkugellager, staugeschützt, sehr starker Zentralbolzen, Mutter gesichert, Schmiernippel Ausführung - lackiert</p> <p>→ Seite/Page 22</p> | <p>Auswahlhilfe Selection Criteria</p> <table border="0"> <tr> <td>leicht lenkbar/easily</td> <td><input type="radio"/></td> <td><input checked="" type="radio"/></td> <td><input type="radio"/></td> <td><input type="radio"/></td> </tr> <tr> <td>verschleißarm/wear resistant</td> <td><input type="radio"/></td> <td><input checked="" type="radio"/></td> <td><input type="radio"/></td> <td><input type="radio"/></td> </tr> <tr> <td>stößel/shock proof</td> <td><input type="radio"/></td> <td><input checked="" type="radio"/></td> <td><input type="radio"/></td> <td><input type="radio"/></td> </tr> <tr> <td>bodenschonend/floor protective</td> <td><input type="radio"/></td> <td><input checked="" type="radio"/></td> <td><input type="radio"/></td> <td><input type="radio"/></td> </tr> <tr> <td>witterungsbeständig/weather proof</td> <td><input type="radio"/></td> <td><input checked="" type="radio"/></td> <td><input type="radio"/></td> <td><input type="radio"/></td> </tr> </table> | leicht lenkbar/easily | <input type="radio"/> | <input checked="" type="radio"/> | <input type="radio"/> | <input type="radio"/> | verschleißarm/wear resistant | <input type="radio"/> | <input checked="" type="radio"/> | <input type="radio"/> | <input type="radio"/> | stößel/shock proof | <input type="radio"/> | <input checked="" type="radio"/> | <input type="radio"/> | <input type="radio"/> | bodenschonend/floor protective | <input type="radio"/> | <input checked="" type="radio"/> | <input type="radio"/> | <input type="radio"/> | witterungsbeständig/weather proof | <input type="radio"/> | <input checked="" type="radio"/> | <input type="radio"/> | <input type="radio"/> |
| leicht lenkbar/easily | <input type="radio"/> | <input checked="" type="radio"/> | <input type="radio"/> | <input type="radio"/> | | | | | | | | | | | | | | | | | | | | | | | |
| verschleißarm/wear resistant | <input type="radio"/> | <input checked="" type="radio"/> | <input type="radio"/> | <input type="radio"/> | | | | | | | | | | | | | | | | | | | | | | | |
| stößel/shock proof | <input type="radio"/> | <input checked="" type="radio"/> | <input type="radio"/> | <input type="radio"/> | | | | | | | | | | | | | | | | | | | | | | | |
| bodenschonend/floor protective | <input type="radio"/> | <input checked="" type="radio"/> | <input type="radio"/> | <input type="radio"/> | | | | | | | | | | | | | | | | | | | | | | | |
| witterungsbeständig/weather proof | <input type="radio"/> | <input checked="" type="radio"/> | <input type="radio"/> | <input type="radio"/> | | | | | | | | | | | | | | | | | | | | | | | |

Technische Details

| | |
|--------------------------------|---------------|
| ORDERNO (Artikel-nummer) | EDD 200 ZSZSK |
| WDAB (Rad-Ø A x Breite B / mm) | 200x50+50 |
| LC (Tragkraft / kg) | 1600 |
| H (Bauhöhe H / mm) | 270 |
| TP (Plattengröße / mm) | 255x205 |
| HS (Lochabstand / mm) | 210x160 |
| HD (Loch-Ø / mm) | 17 |
| SR (Schwenkradius / mm) | 170 |
| WB (Radlager) | Kugellager |